

EO-XS-223/1~3μJ/1~30mW

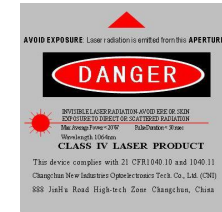
LD PUMPED ALL-SOLID-STATE EOM Q-SWITCHED LASER AT 223 nm

All solid state EOM Q-switched laser at 223 nm has the features of high peak power, high repetition rate, and short pulse duration, which is widely used in marking, carving, measure, research and so on.

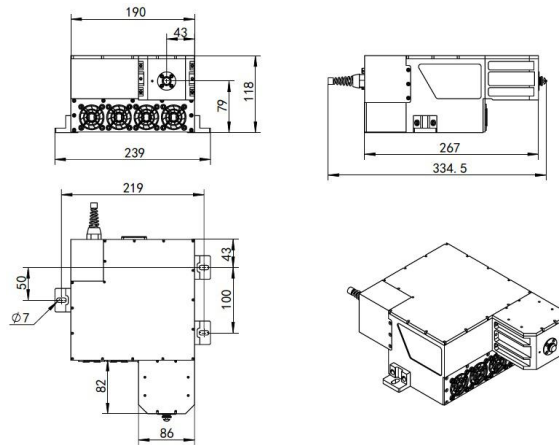


SPECIFICATIONS

Wavelength (nm)	223.5±1
Operating mode	Electro-optic Q-switched
Average power (W)	1~30mW (30mW@10kHz) Average power (W) = Single pulse energy (mJ) * Rep. rate (kHz)
Single pulse energy (μJ)	1~3 (3μJ @10kHz)
Rep. rate (kHz)	10
Pulse duration (ns)	~4 @10kHz
Peak power (kW)	~0.75 (0.75kW@10kHz)
Ave power stability (over 4 hours)	<3%, <5%
Warm-up time (minutes)	<10
Beam divergence, full angle (mrad)	<5
Beam diameter at the aperture (1/e2,mm)	<8
Beam height from base plate (mm)	68.5
Cooled method	Air cooled
Operating temperature (°C)	10~35
Power supply (220/110VAC)	PSU-AOM (3U)
Expected lifetime (hours)	10000
Warranty period	1 year

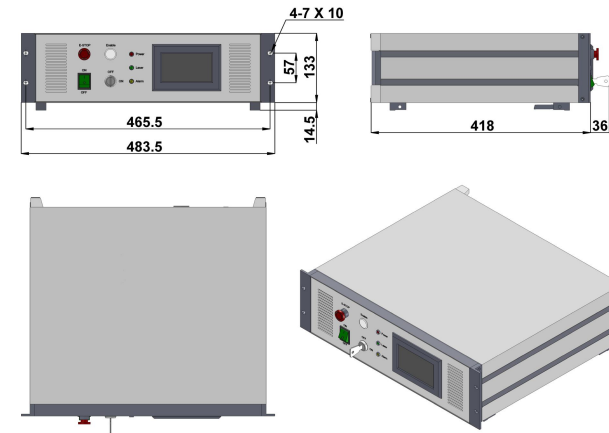


EO-XS-223



334.5(L)×219(W)×118(H) mm³, 5kg

PSU-AOM (3U)



483.5 (L) ×454 (W) ×147.5 (H) mm³, 8.3 kg