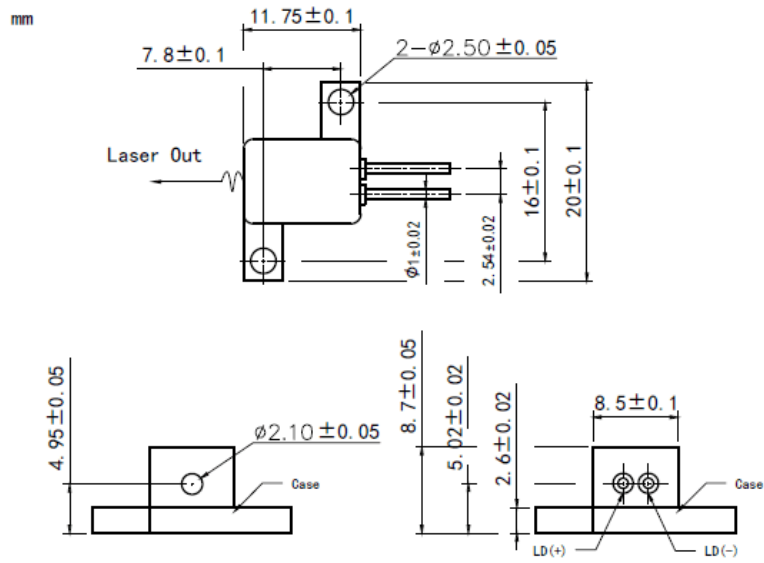


**1270nm~1280nm 1.5W Laser Diode | H-mount Package | FAC Lens Optional | Hermetic Package
1280nm~1290nm| 1.5W Output Power |Window Package | Square or Line Beam Optional
WSLD-1280-1500m-H**

PARAMETER	SYMBOL	VALUE	UNIT
Reverse Voltage	V_r	2.0	V
Operating Temperature	T_{op}	+10~+30	°C
Storage Temperature	T_{stg}	-20~+80	°C
Lead soldering temperature (10 sec.)	T_{is}	260	°C
Features: <ul style="list-style-type: none"> ● 1280nm ● 1.5W Power ● H-mount Package (Window Package) ● FAC Lens Optional (Square or Line Beam) 			
Applications: <ul style="list-style-type: none"> ● Medical Laser Treatment ● Others 			
Specifications	WSLD-1280-1500m-H		
	Min	Type	Max
Center Wavelength@25°C	1260nm	1280nm	1300nm
Spectral Width (FWHM)	----	6.0nm	10.0nm
Output Power	----	1.5W	----
Emitter Area	----	85x1μm	----
Beam Divergence (With FAC Lens)	----	10° _⊥ x 35° _{//}	----
Temperature Coefficient of Wavelength	----	0.7nm / °C	----
Slope Efficiency	0.5W/A	----	----
Threshold Current (Typ.)	----	0.3A	0.6A
Operating Current (Typ.)	----	3.3A	3.6A
Operating Voltage	----	1.3V	1.5V
Package Style	H-mount		
Recommended Operating Temperature	25°C		

H-mount Package



Electrically shorten LD module and store in non-extreme conditions.

Suggest using the constant current power supply.

