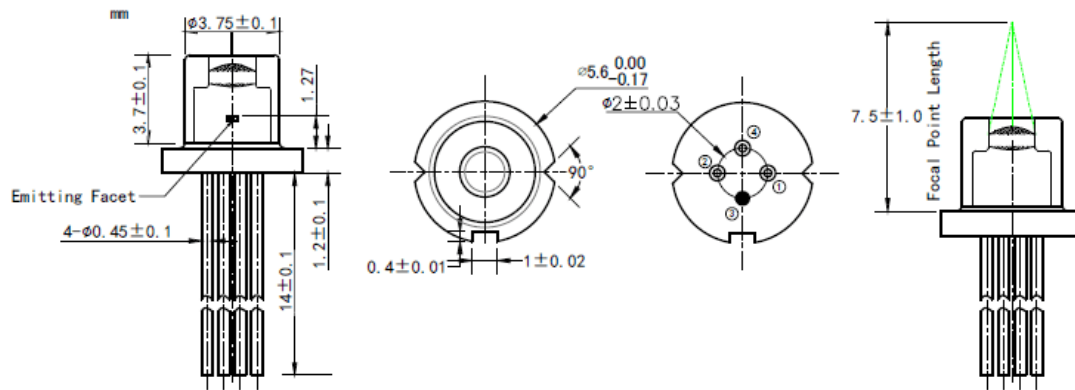


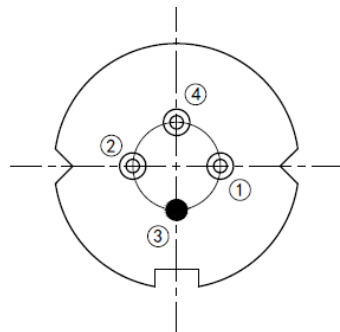
1310nm 20mW DFB Laser Diodes | TO18 5.6mm LD | Flat Window Optional
1310nm 20mW Single Mode LD | With Non-spherical Lens | Built-in Photodiode
WSLD-1310-020m-1-PD

1310nm Laser Diode		20mW Single mode/DFB		en.wavespectrum-laser.com.cn	
Reverse Voltage	V_r	2.0		V	
Operating Temperature	T_{op}	-20 ~ +50		°C	
Storage Temperature	T_{stg}	-40 ~ +85		°C	
Lead soldering temperature (10 sec.)	T_{is}	260		°C	
Features: <ul style="list-style-type: none"> ● 1310nm ● Single Mode Beam ● DFB LD ● With Non-spherical Lens ● Built-in PD 					
Applications: <ul style="list-style-type: none"> ● Optical Fiber Communication ● Free-space Optical Communication 					
Specifications		WSLD-1310-020m-1-PD			
Center Wavelength@25°C	1310+/-10nm				
Spectral Width (FWHM)	<3nm				
Output Power	20mW				
Recommend Operating Temperature	25°C				
Laser Type	DFB				
Threshold Current (Typ.)	10mA				
Operating Current (Typ.)	75mA				
Operating Voltage	1.4V				
Monitor Current	50uA	500uA	5mA		
Package Style	TO18				
Window Type	Flat Window (Optional)				
	Non-Spherical-Lens Window (standard)				

Package View:



PIN Bottom View (A-Type):



PIN 1	PD (+)
PIN 2	LD (-)
PIN 3	LD (+), CASE
PIN 4	PD (-)

Electrically shorten LD module and store in non-extreme conditions.
Suggest using the constant current power supply.

