
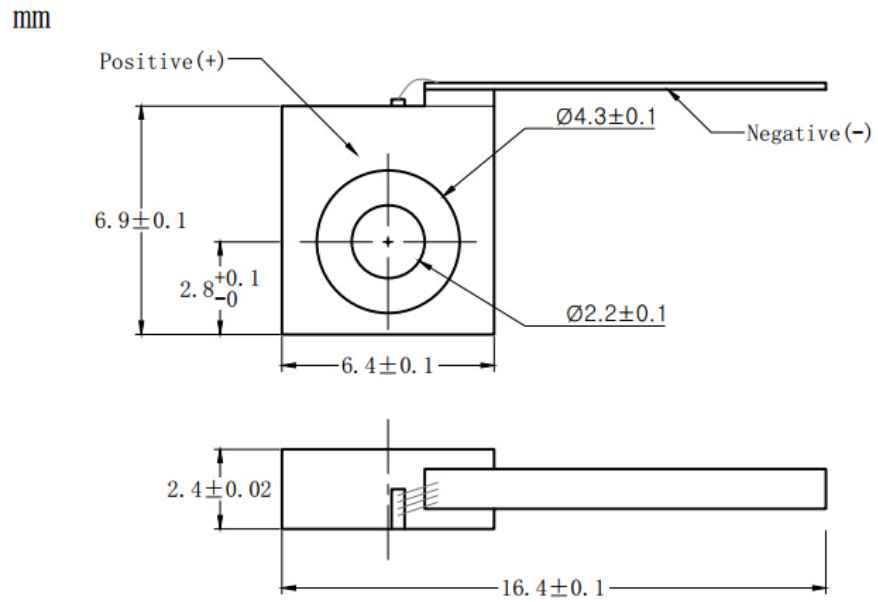


**1330nm 1W Laser Diode with C mount package | FAC Lens | High Power LD
1330nm| 1W Power |C-mount Package | Square or Line Beam Optional**

WSLD-1330-001-C

Reverse Voltage	V_r	2.0	V
Operating Temperature	T_{op}	+10~+30	°C
Storage Temperature	T_{stg}	-20 ~ +80	°C
Lead soldering temperature (10 sec.)	T_{is}	260	°C
Features: <ul style="list-style-type: none"> 🔸 1330nm 🔸 1W Power 🔸 C-mount Package 🔸 FAC Lens Optional (Square or Line Beam) 			
Applications: <ul style="list-style-type: none"> 🔸 Medical laser treatment 🔸 Others 			
Specifications	WSLD-1330-001-C		
	Min	Type	Max
Center Wavelength@25°C	+/-10nm	1330nm	+/-30nm
Spectral Width (FWHM)	----	6.0nm	10.0nm
Output Power	----	1W	----
Emitter Area	----	85x1µm	----
Beam Divergence (With FAC Lens)	----	8°_⊥ x 28°_{//}	----
Temperature Coefficient of Wavelength	----	0.7nm / °C	----
Slope Efficiency	----	0.55W/A	----
Threshold Current (Typ.)	----	350mA	----
Operating Current (Typ.)	----	2.1A	2.4A
Operating Voltage	----	1.3V	1.5V
Package Style	C-mount		

C-mount Package View



**Electrically shorten LD module and store in non-extreme conditions.
Suggest using the constant current power supply.**