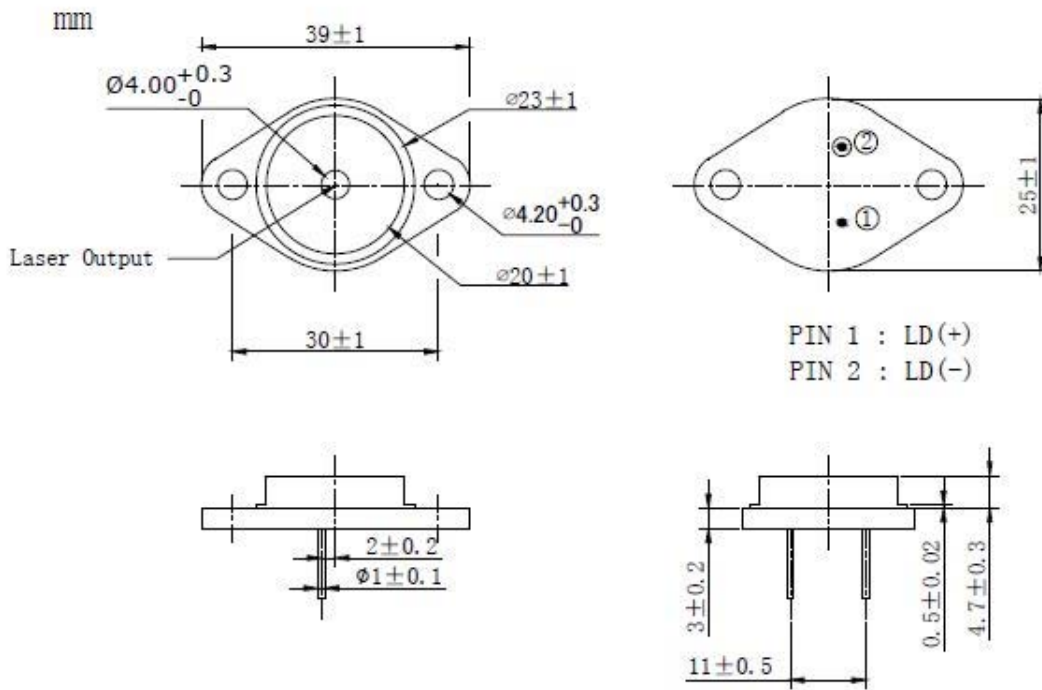


1330nm 1W Laser Diode with TO3 Package | FAC Lens | High Power LD
1330nm| 1W Power |TO3 Package | Square or Line Beam Optional

Reverse Voltage	V_r	2.0	V
Operating Temperature	T_{op}	+10~+30	°C
Storage Temperature	T_{stg}	-20 ~ +80	°C
Lead soldering temperature (10 sec.)	T_{is}	260	°C
Features: <ul style="list-style-type: none"> 🔸 1330nm 🔸 1W Power 🔸 TO3 Package 🔸 FAC Lens Optional (Square or Line Beam) 			
Applications: <ul style="list-style-type: none"> 🔸 Medical laser treatment 🔸 Others 			
Specifications		WSLD-1330-001-3	
		Min	Type
		Max	
Center Wavelength@25°C		+/-10nm	1330nm
Spectral Width (FWHM)		----	6.0nm
Output Power		----	1W
Emitter Area		----	85x1μm
Beam Divergence (With FAC Lens)		----	8°_⊥ x 28°_{//}
Temperature Coefficient of Wavelength		----	0.7nm / °C
Slope Efficiency		----	0.55W/A
Threshold Current (Typ.)		----	350mA
Operating Current (Typ.)		----	2.1A
Operating Voltage		----	1.3V
Package Style		TO3	

T03 Package



**Electrically shorten LD module and store in non-extreme conditions.
Suggest using the constant current power supply.**