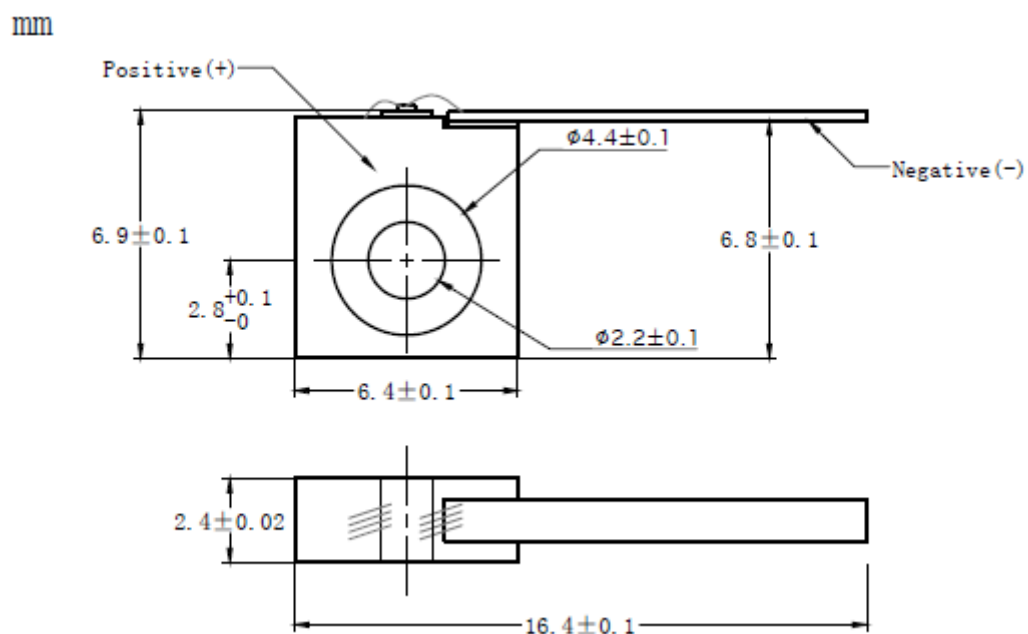


**1900nm~1910nm 700mW Laser Diode with C-mount Package | FAC Lens Optional |
 1900nm 700mW Output Power | Hermetic Package Optional | Square or Line Beam Optional
 WSLD-1900-700m-C**

1900nm Laser Diode 700mW/C-mount		Wavespectrum Laser Group	
PARAMETER	SYMBOL	VALUE	UNIT
Reverse Voltage	V_r	2.0	V
Operating Temperature	T_{op}	+10 ~ +30	°C
Storage Temperature	T_{stg}	-20 ~ +80	°C
Lead soldering temperature (10 sec.)	T_{is}	260	°C
Features: <ul style="list-style-type: none"> ● 1900nm ● 700mW Output Power ● C-mount Package ● FAC Lens Optional (Square or Line Beam) 			
Applications: <ul style="list-style-type: none"> ● Medical Laser Treatment ● Others 			
Specifications	WSLD-1900-700m-C		
	Min	Type	Max
Center Wavelength@25°C	1870nm	1900nm	1930nm
Spectral Width (FWHM)	----	----	20nm
Output Power	----	700mW	----
Recommended Operating Temperature	25°C		
Beam Divergence	----	$12^\circ \perp \times 30^\circ //$	----
Temperature Coefficient of Wavelength	----	0.75nm / °C	----
Slope Efficiency	----	0.2W/A	----
Threshold Current (Typ.)	----	0.7A	1.0A
Operating Current (Typ.)	----	4.2A	4.5A
Operating Voltage	----	1.1V	1.4V
Package Style	C-mount		

C-mount Package View



Electrically shorten LD module and store in non-extreme conditions.
Suggest using the constant current power supply.

