

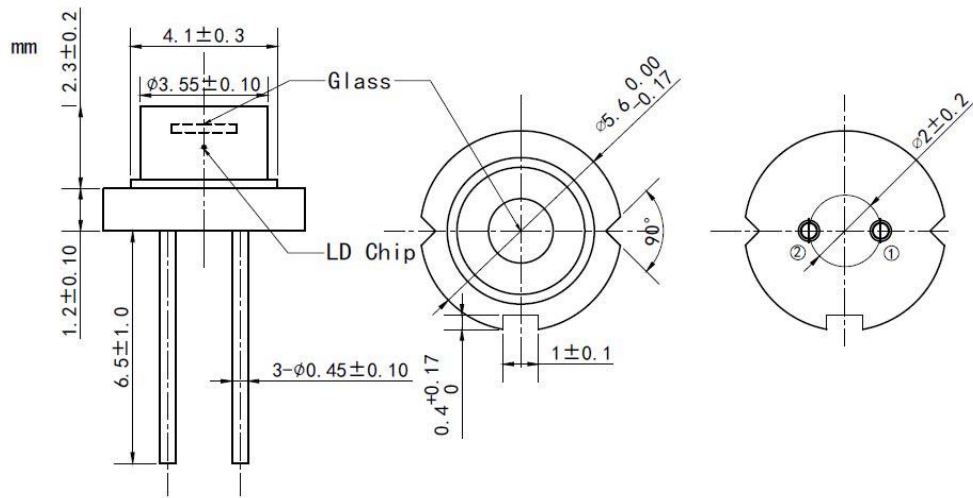
395nm 300mW Multi-mode Laser Diode | 0.3W High Power LD

390nm~395nm LD| 300mW Output Power|5.6 mm Package | Violet LD | Multimode Laser Diode

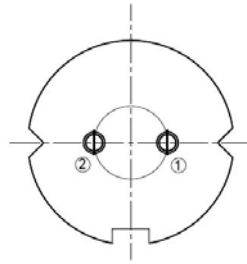
- - -

PARAMETER	SYMBOL	VALUE	UNIT
Reverse Voltage	V_r	2.0	V
Operating Temperature	T_{op}	0~ +30	°C
Storage Temperature	T_{stg}	-40~ +85	°C
Lead soldering temperature (10 sec.)	T_{is}	260	°C
Features: <ul style="list-style-type: none"> ● 395nm ● High Output Power ● 5.6mm Package ● Multimode Laser Diode 			
Applications: <ul style="list-style-type: none"> ● Medical Laser Treatment ● Printing ● Others 			
Specifications	WSLD-395-300m-1		
	Min	Type	Max
Center Wavelength@25°C	395nm±10nm		
Spectral Width (FWHM)	2.0nm		
Output Power (CW)	----	300mW	----
Beam Divergence (FWHM)	----	45° _⊥ x 15° _{//}	51° _⊥ x 21° _{//}
Threshold Current (Typ.)	----	130mA	200mA
Operating Current (Typ.)	----	330mA	360mA
Operating Voltage	----	4.8V	5.5V
Slope Efficiency	----	1.6mW/mA	----
Recommended Operating Temperature	25 °C		
Package Style	5.6mm		

TO18 (5.6mm) Package View



PIN Bottom View



1	LD(+)
2	LD(-)

Electrically shorten LD module and store in non-extreme conditions.
Suggest using the constant current power supply.