


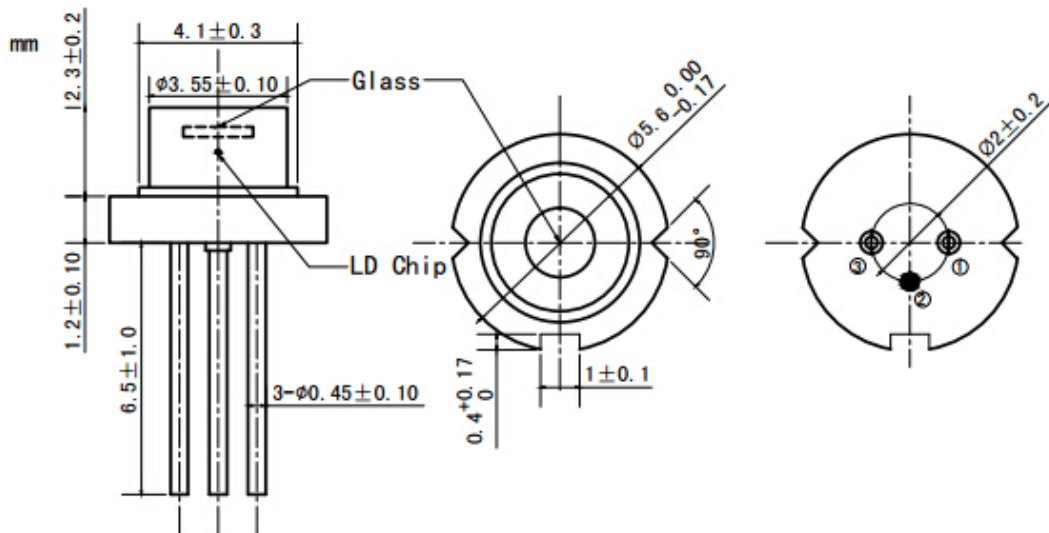
490nm~495nm 60mW Single Mode Laser Diode| High Power Blue LD | TO18 Package

492nm~495nm LD| 60mW Power|5.6mm Package Blue SM Diode Laser

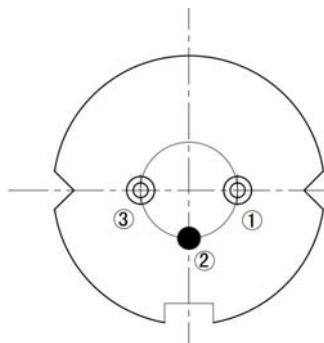
WSLD-495-060m-1

495nm Laser Diode		60mW/TO18	
PARAMETER	SYMBOL	VALUE	UNIT
Reverse Voltage	V_r	2.0	V
Operating Temperature	T_{op}	-10~+60	°C
Storage Temperature	T_{stg}	-40~+85	°C
Lead soldering temperature (10 sec.)	T_{is}	260	°C
Features: <ul style="list-style-type: none"> ● 495nm ● 60mW ● TO18 Package 			
Applications: <ul style="list-style-type: none"> ● Medical Laser Treatment ● Laser Indicator ● Laser Detector 			
Specifications	WSLD-495-060m-1		
	Min	Type	Max
Center Wavelength@25°C	495nm±5nm		
Spectral Width (FWHM)	2.0nm		
Output Power	----	60mW	----
Laser Mode	Single Mode		
Beam Divergence (FWHM)	----	$24^{\circ} \pm x 8^{\circ} //$	$26^{\circ} \pm x 12^{\circ} //$
Threshold Current (Typ.)	----	30mA	60mA
Operating Current (Typ.)	----	115mA	130mA
Operating Voltage	----	6.5V	8.0V
Recommended Operating Temperature	25°C		
Package Style	TO18		

PIN Bottom View:



PIN Bottom View:



1	LD(+)
2	GND
3	LD(-)

Electrically shorten LD module and store in non-extreme conditions.

Suggest using the constant current power supply.

