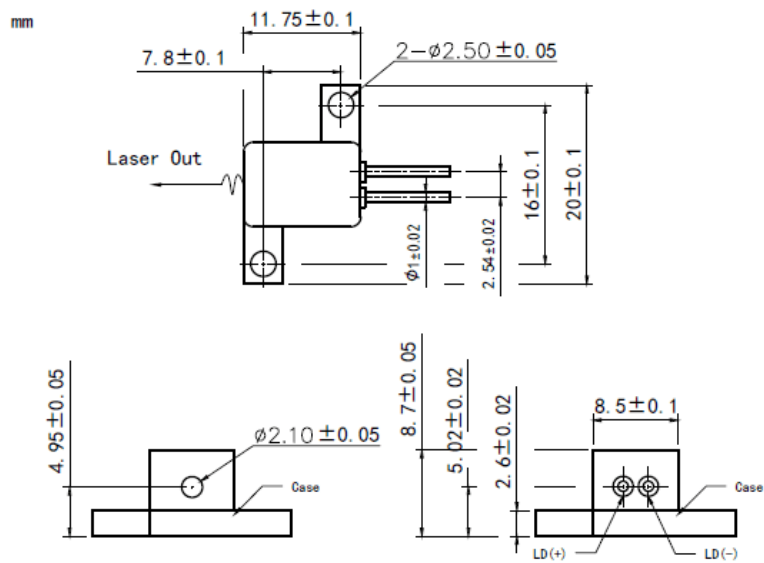


**880nm 8W High Power LD with H-mount Package | Square Beam Optional | Window Package**  
**870nm~880nm Laser Diode | 8W Output Power| Hermetic Package | FAC Optional**  
**WSLD-880-008-H**

PARAMETER	SYMBOL	VALUE	UNIT
Reverse Voltage	$V_r$	2.0	V
Operating Temperature	$T_{op}$	+10 ~ +30	°C
Storage Temperature	$T_{stg}$	-20 ~ +80	°C
Lead soldering temperature (10 sec.)	$T_{is}$	260	°C
<b>Features:</b> <ul style="list-style-type: none"> <li>● 880nm</li> <li>● H-mount Package (Window Package)</li> <li>● Square Beam Optional</li> </ul>			
<b>Applications:</b> <ul style="list-style-type: none"> <li>● Medical Laser Treatment</li> <li>● Laser Indicator</li> <li>● Laser Detector</li> </ul>			
<b>Specifications</b>	<b>WSLD-880-008-H</b>		
	Min	Type	Max
Center Wavelength@25°C	±3nm	880nm	±10nm
Spectral Width (FWHM)		3.0nm	
Output Power	----	8W	----
Emitter Area	----	200um or 400um	----
Beam Divergence (FWHM)	----	35° ⊥ x 8° //	----
Temperature Coefficient of Wavelength	----	0.3nm / °C	----
Slope Efficiency	----	1.1W/A	----
Threshold Current (Typ.)	----	1.5A	----
Operating Current (Typ.)	----	9.0A	----
Operating Voltage	----	1.8V	----
Package Style	H-mount		
Recommended Operating Temperature	25°C		

## H-mount Package View



Electrically shorten LD module and store in non-extreme conditions.

Suggest using the constant current power supply.

