


1550nm 15mW DFB laser diodes | TO18 5.6mm LD | Flat Window Optional

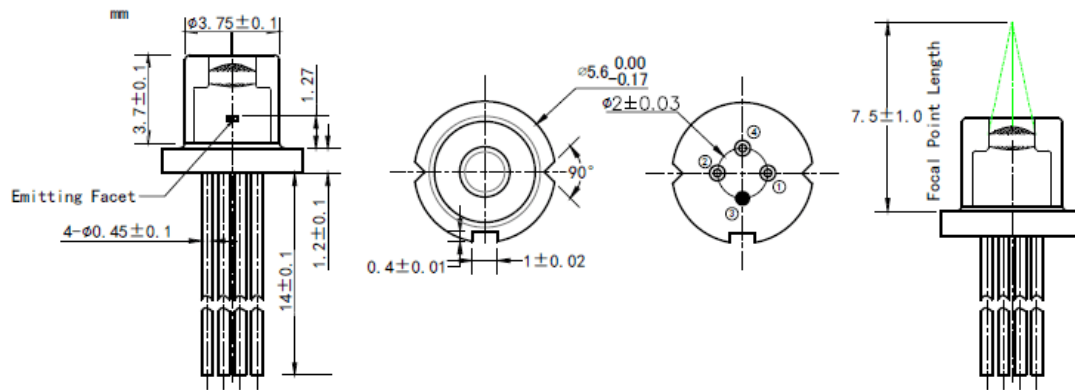
1550nm 15mW Single Mode LD | With Non-spherical Lens

WSLD-1550-015m-1-PD

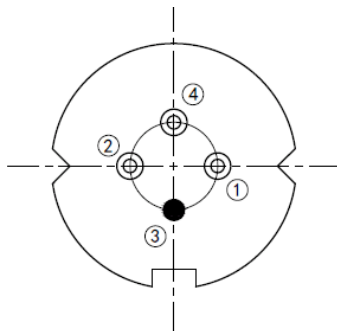
Wavespectrum laser Group

1550nm Laser Diode		15mW	Single mode /DFB	en.wavespectrum-laser.com.cn
Reverse Voltage	V_r	2.0	V	
Operating Temperature	T_{op}	-20 ~ +45	°C	
Storage Temperature	T_{stg}	-40 ~ +85	°C	
Lead soldering temperature (10 sec.)	T_{is}	260	°C	
Features: <ul style="list-style-type: none"> ● 1550nm ● Single Mode Beam ● DFB LD ● With Non-spherical lens ● Built-in PD 				
Applications: <ul style="list-style-type: none"> ● Optical Fiber Communication ● Free-space Optical Communication 				
Specifications		WSLD-1550-015m-1-PD		
Center Wavelength@25°C		1550+/-10nm		
Output Power		15mW		
Spectral Width (FWHM)		<3nm		
Laser Type		DFB		
Recommend Operating Temperature		25°C		
Threshold Current (Typ.)		10mA		
Operating Current (Typ.)		75mA		
Operating Voltage		1.4V		
Monitor Current		0.5mA		
Package Style		TO18		
Window Type		Flat Window (Optional)		
		Non-Spherical-Lens Window (standard)		

Package View:



PIN Bottom View (A-Type) :



PIN 1	PD (+)
PIN 2	LD (-)
PIN 3	LD (+), CASE
PIN 4	PD (-)

Electrically shorten LD module and store in non-extreme conditions.

Suggest using the constant current power supply.

