

1064nm Laser Stack Array Bars for Laser Hair Removal & Biomedical

Macro channel stacked array lasers

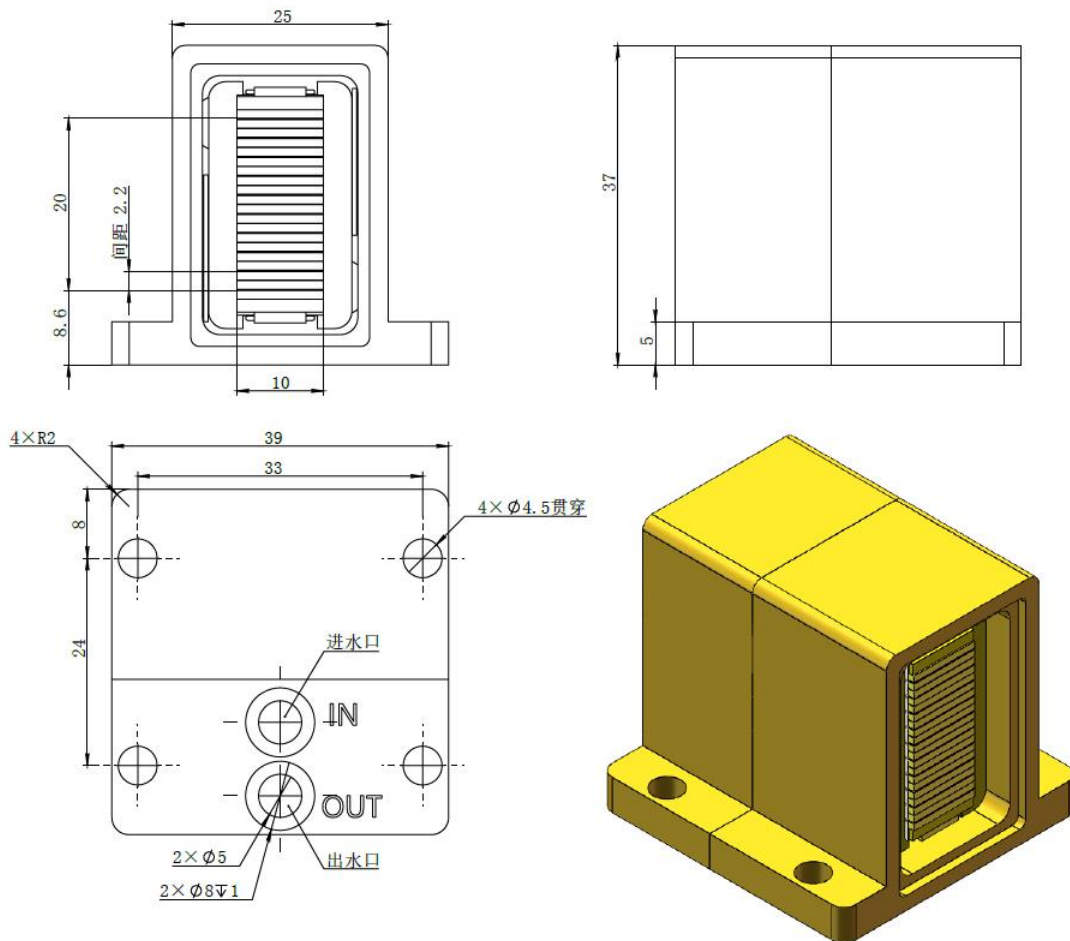
HD-NA50-D10

Key features :

Macro channel low water quality requirements, gold-tin packaging, high reliability, high peak power

Applications : medical

Form factor (mm) :



■ **Detailed parameters:**

parameter (25℃)	unit	HD-NA50-D10

Optical parameters		
Center wavelength	nm	1064
Center wavelength deviation	nm	±10
Output power	W	500
Number of bars	条	10
Bar spacing	mm	2
Fast axis divergence angle	degree	<50
Slow axis divergence angle	degree	<10
Spot size	mm	10x20
Electrical parameters		
Operating current I	A	50
Threshold current I	A	<12
Operating voltage V	V	≤20
Operating frequency	Hz	1-10
Pulse width	ms	≤400
Duty cycle	-	≤40%
Environment parameters		
Operating water temperature	°C	20-30
Ambient temperature	°C	15-35
Storage temperature	°C	-25-55
Hydraulic	M Pa	0.4-0.6
Water flow	L/min	2.5-4

■ **Precautions for use :**

1. Make sure the circulating water is turned on before the laser is powered on.
2. Avoid use and storage in condensation environments.
3. Exceeding the rated operating current shortens the lifetime of the device.
4. Operating at higher temperatures reduces power and shortens the lifetime of the device.
5. When the laser is working, avoid irradiating the laser to the eyes.

