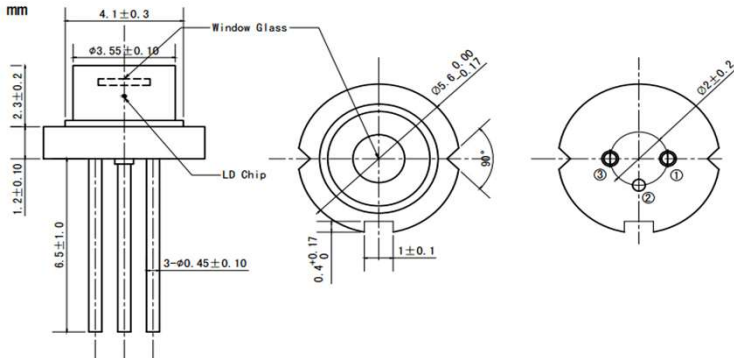


850nm 500mW Multimode Laser Diode

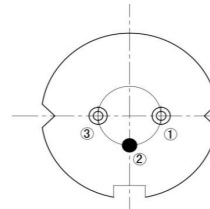
Part Number		WSLD-850-500m-1		
PARAMETER	SYMBOL	VALUE	UNIT OF MEASURE	
Reverse Voltage	V_r	2.0	V	
Operating Temperature	T_{op}	-10~+50	°C	
Storage Temperature	T_{stg}	-40~+85	°C	
Lead Soldering Temperature (10 sec.)	T_{is}	260	°C	
Typical Specification (@25°C)		Min.	Typical Value	Max.
Optical Parameters	Center Wavelength	850nm+/-10nm		
	Output Power	----	500mW	----
	Spectral Width(FWHM)	----	2.0nm	----
	Wavelength Temp. Coefficient	0.3nm/°C		
	Laser Type	FP		
	Beam Type	Multimode		
	Emitter Size	50um x 1um		
	Beam Divergence (FWHM)	----	$35^\circ \perp \times 10^\circ //$	----
Electrical Parameters	Threshold Current	----	240mA	----
	Operating Current	----	950mA	----
	Operating Voltage	----	2.4V	----
Photodiode Parameters	Photodiode	Without		
	PD Current	----	----	----
	PD Reverse Voltage (Max.)	----		
Other Parameters	Package	TO18 (5.6mm)		
	Recommended Operating Temp.	25°C		

Product Package View:

TO18 (5.6mm) Package:



PIN Bottom View:



Pin-1	LD(-)
Pin-2	LD(+),CASE
Pin-3	LD(-)