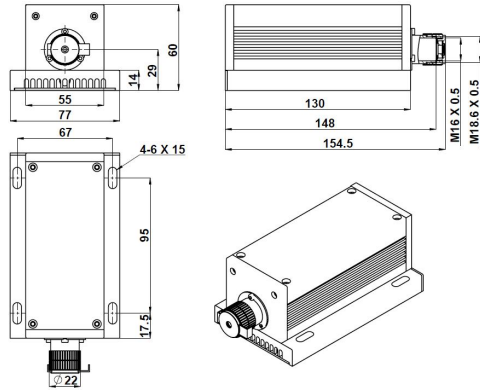


SPECIFICATIONS

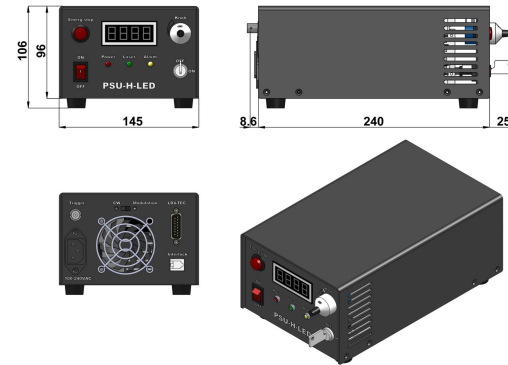
Part number	MIL-H-1319	MIL-H-1335	MIL-H-1338	MIL-H-1342	MIL-H-1413
Wavelength (nm)	1319±1	1335±1	1338±1	1342±1	1413±1
Operating mode	CW				
Output power (mW)	1200-1500	1-500	1-500	1-2000	1-300
Power stability (rms, over 4 hours)	<5%,<3%,<2%	<5%,<3%,<2%	<5%,<3%,<2%	<3%,<2%,<1%	<10%,<5%,<3%
Transverse mode	TEM ₀₀				
M ² factor	<2.0				
Beam diameter at the aperture (1/e ² , mm)	~1.5				
Beam divergence, full angle (mrad)	<2.0				
Polarization Ratio	>100:1, (Horizontal or Vertical Optional)				
Warm-up time (minutes)	<5				
Pointing stability after warm-up (mrad)	<0.05				
Beam height from base plate (mm)	29				
Operating Temperature (°C)	10~35				
Power supply (90-264VAC)	PSU-H-LED/PSU-H-FDA/PSU-H-OEM				
Modulation optional	TTL on/off,1Hz-1kHz,1kHz-10kHz,10kHz-30kHz,and Analog modulation option				
Expected lifetime (hours)	10000				
Warranty	1 year				

LASER HEAD



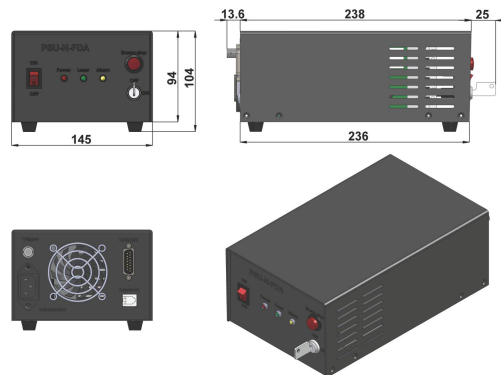
154.5(L)×77(W) ×60(H) mm³, 0.9 kg

POWER SUPPLY (PSU-H-LED)



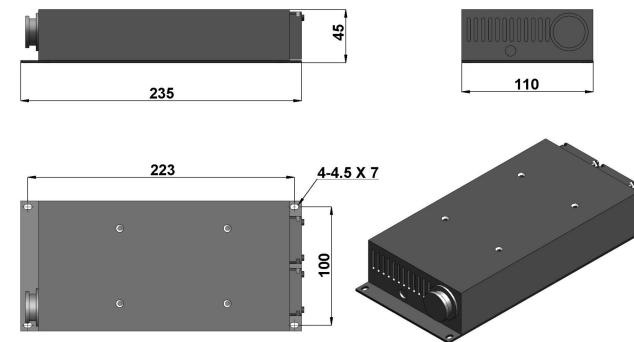
273.6 (L) × 145 (W) × 106 (H) mm³, 2.3 kg

POWER SUPPLY (PSU-H-FDA)



276.6(L) × 145(W) × 103.6(H) mm³, 2.3 kg

POWER SUPPLY (PSU-H-OEM)



235(L) × 110(W) × 45(H) mm³, 1.1kg