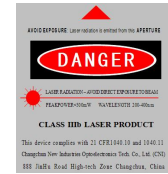


## MIL-FN series



### LD PUMPED ALL-SOLID-STATE LASER

All solid state laser is made features of high output power stability, good beam profile, ultra compact, long lifetime, low cost and easy operating, which is widely used in collimation, laser medical treatment, scientific experiment, optical instrument, etc.

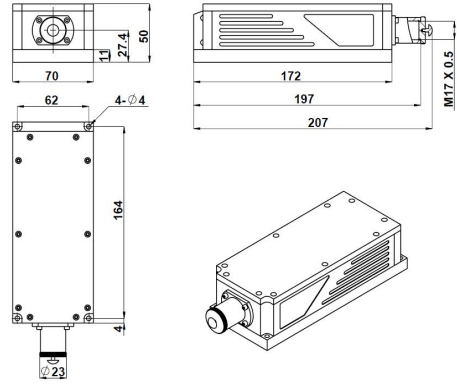


#### SPECIFICATIONS

Part number	MIL-FN-912	MIL-FN-1357
Wavelength (nm)	912±1	1357±1
Operating mode	CW	
Output power (mW)	1-1000	1-400
Power stability (rms, over 4 hours)	<5%, <3%, <2%	<5%, <3%, <2%
Transverse mode	Near TEM <sub>00</sub>	
M <sup>2</sup> factor	<2.0	
Beam diameter at the aperture (1/e <sup>2</sup> , mm)	<1.5	
Beam divergence, full angle (mrad)	<1.2	
Polarization Ratio	>100:1, Horizontal (Vertical Optional)	
Warm-up time (minutes)	<5	
Pointing stability after warm-up (mrad)	<0.05	
Beam height from base plate (mm)	27.4	
Operating Temperature (°C)	10-35	
Modulation optional	TTL on/off, 1Hz-1kHz, 1kHz-10kHz, 10kHz-30kHz; and Analog modulation optional	
Power supply (90-264VAC)	PSU-H-LED/PSU-H-FDA/PSU-SR	
Expected lifetime (hours)	10000	
Warranty	1 year	

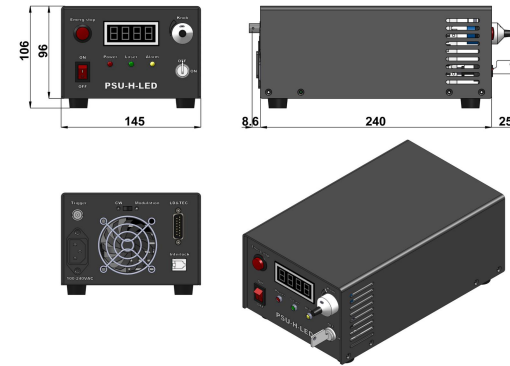
**Note:** The laser head needs to be used on a heat sink with good heat dissipation.

### LASER HEAD



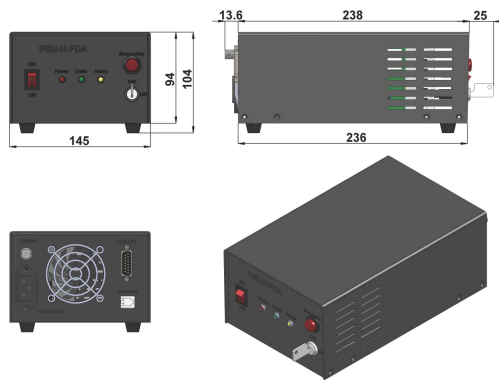
197(L)×70(W)×50(H) mm<sup>3</sup>, 1.5 kg

### POWER SUPPLY (PSU-H-LED)



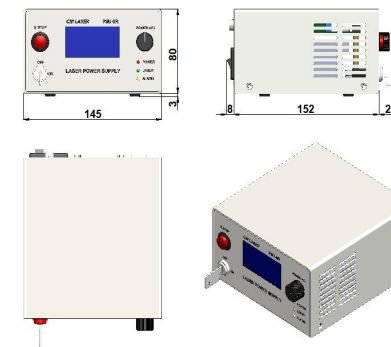
273.6 (L) ×145(W) ×106 (H) mm<sup>3</sup>, 2.3 kg

### POWER SUPPLY (PSU-H-FDA)



276.6(L) ×145(W) ×103.6(H) mm<sup>3</sup>, 2.3 kg

### POWER SUPPLY (PSU-SR)



188(L) ×145(W) ×83(H) mm<sup>3</sup>, 1.2kg