

LD PUMPED ALL-SOLID-STATE LASER

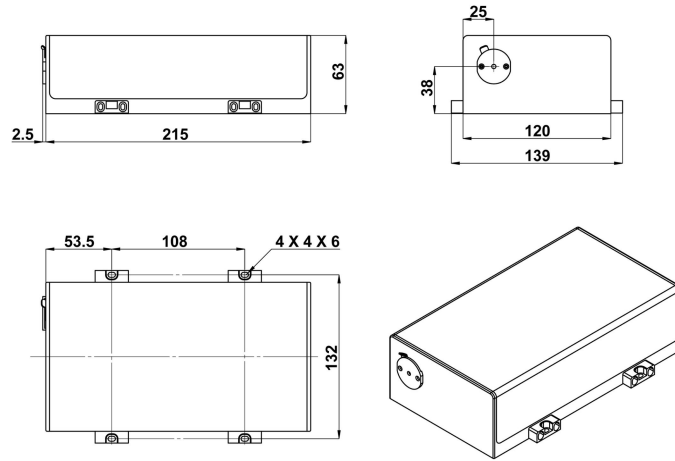
All solid-state CW mode laser is made features of ultra compact, easy operating, high power and stability, which is perfect for flow cytometry, spectrum analysis, microscopy, semiconductor inspection, cell sorting, optical instrument, physics experiment, etc.



SPECIFICATIONS

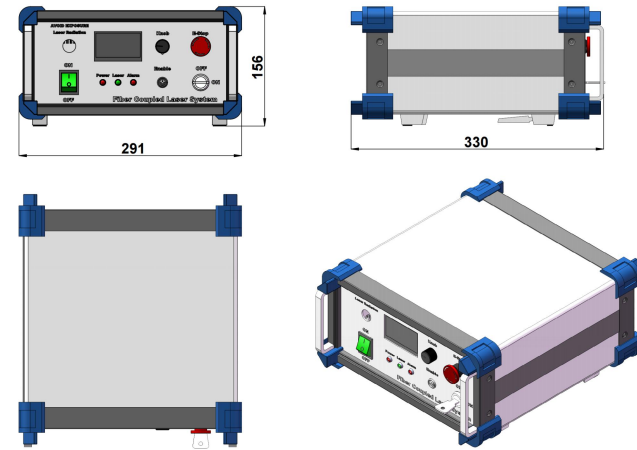
Part number	MGL-DP-522-A
Central wavelength (nm)	522 ± 1
Operating mode	CW
Output power (mW)	400-1500
Power stability (rms, over 4 hours)	<3%, <2%, <1%
Transverse mode	TEM ₀₀
Beam diameter at the aperture (1/e ² , mm)	<1.0
Beam divergence, full angle (mrad)	<1.0
Warm-up time (minutes)	<10
Polarization Ratio	>100:1 Horizontal(Vertical Optional)
Beam height from base plate (mm)	38
Cooled method	Fan Cooled
Operating temperature (°C)	10-35
Power supply	FC-11
Warranty	1 year

LASER HEAD



217.5(L)×139(W)×63(H) mm³

POWER SUPPLY



330(L) × 291(W) × 156(H) mm³