

MGL-F series



LD PUMPED ALL-SOLID-STATE LASER

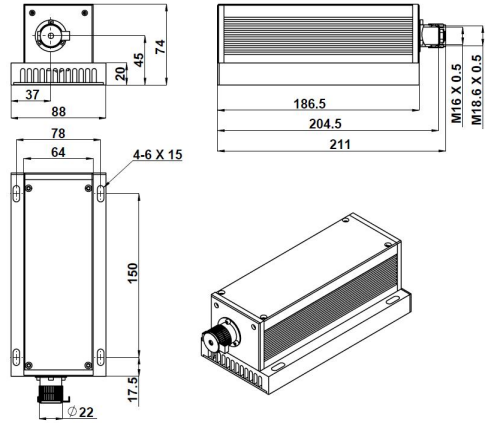
All solid state laser is made features of ultra compact, long lifetime, low cost and easy operating, which is used in fluorescence sensors, Raman spectrum, laser printing, holography, laser display, submarine communication, biomedicine, laser lighting show, etc.



SPECIFICATIONS

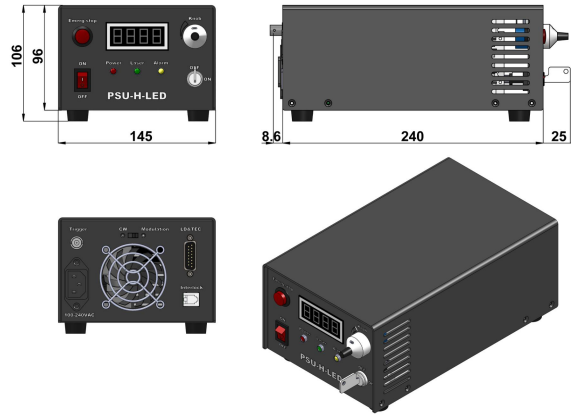
Part number	MGL-F-515	MGL-F-540		MGL-F-577		MGL-F-588	MGL-F-589
Wavelength (nm)	515±1	540±1		577±2		588±2	589±1
Operating mode	CW						
Output power (mW)	1-100	1-200	200-500	1-300	300-600	1-300	1-300
Power stability (rms, over 4 hours)	<3%, <2%, <1%	<3%, <2%, <1%		<3%, <2%, <1%		<3%, <2%, <1%, <0.5%	<3%, <2%, <1%, <0.5%
Transverse mode	Near TEM ₀₀	TEM ₀₀	Near TEM ₀₀	TEM ₀₀	Multi mode	TEM ₀₀	
M ² factor	<2.0	<1.5		<1.5	<3.0	<1.5	
Beam diameter at the aperture (1/e ² , mm)	<3.0	<2.0		<3.0		<2.5	
Beam divergence, full angle (mrad)	<2.0			<1.5		<2.0	
Polarization Ratio	>100:1, Horizontal (Vertical Optional)						
Warm-up time (minutes)	<5						
Pointing stability after warm-up (mrad)	<0.05						
Beam height from base plate (mm)	45						
Operating Temperature (°C)	10-35						
Modulation optional	TTL on/off, 1Hz-1kHz, 1kHz-10kHz, 10kHz-30kHz, and Analog modulation optional						
Power supply (90-264VAC)	PSU-H-LED/ PSU-H-FDA/ PSU-H-OEM/ PSU-SR						
Expected lifetime (hours)	10000						
Warranty	1 year						

LASER HEAD



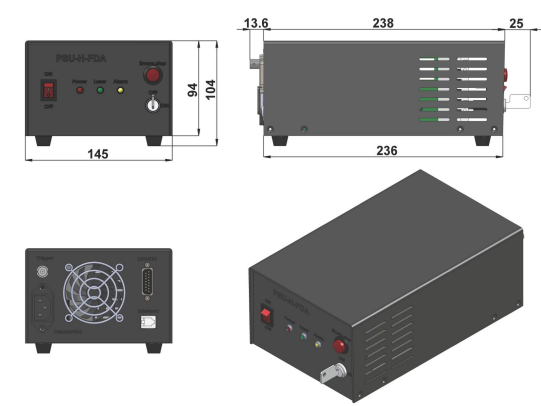
211 (L) × 88 (W) × 74 (H) mm³, 1.6 kg

POWER SUPPLY (PSU-H-LED)



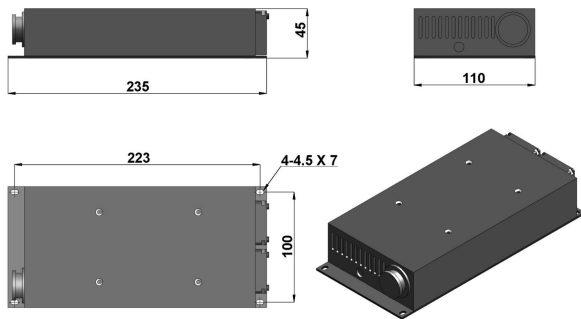
273.6 (L) × 145 (W) × 106 (H) mm³, 2.3 kg

POWER SUPPLY (PSU-H-FDA)



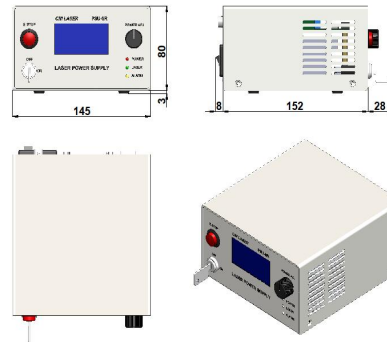
276.6 (L) × 145 (W) × 103.6 (H) mm³, 2.3 kg

POWER SUPPLY (PSU-H-OEM)



235 (L) × 110 (W) × 45 (H) mm³, 1.1 kg

POWER SUPPLY (PSU-SR)



188 (L) × 145 (W) × 83 (H) mm³, 1.2 kg